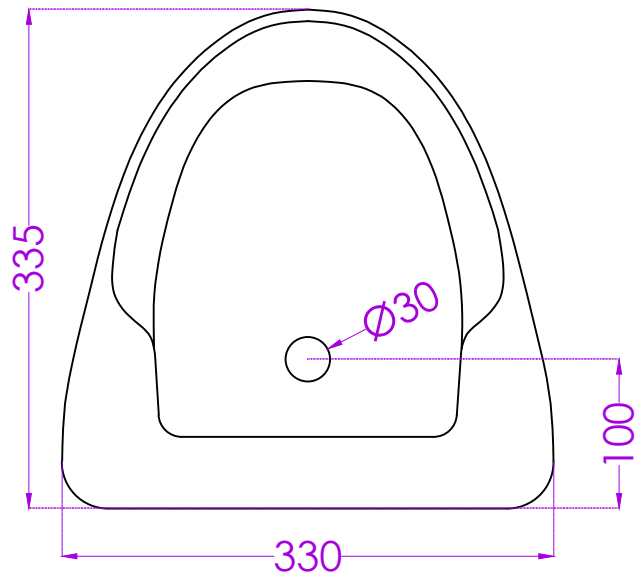


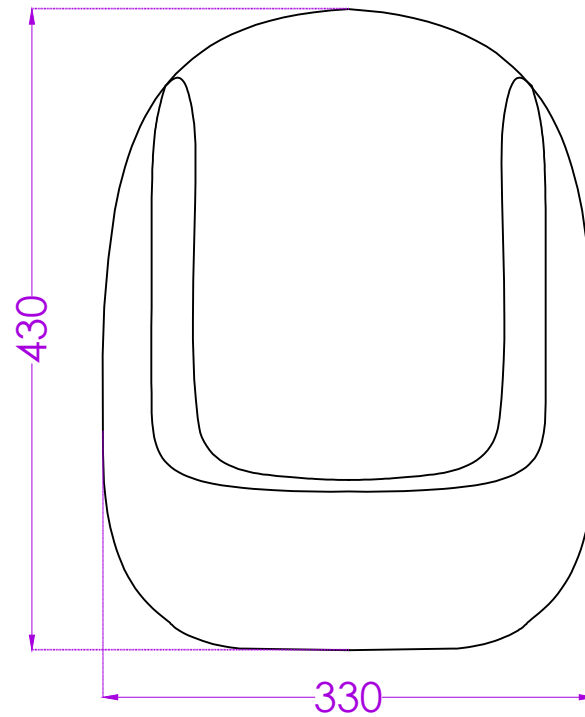
BAKU P4619PW0704

LARGE URINAL

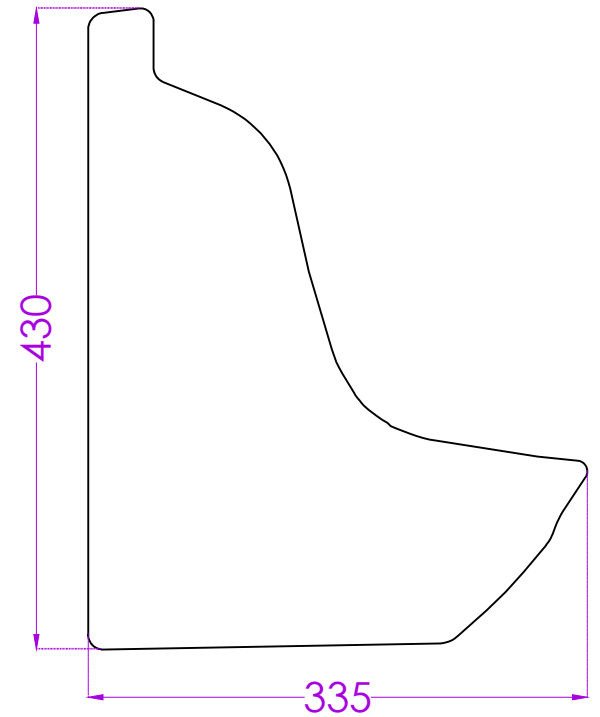
JOHNSON



PLAN



FRONT



SIDE